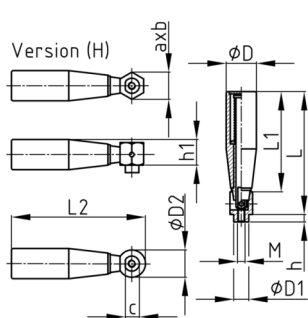


Product Group UGZ

Cylindrical folding handle made of PA-GF with pivot pin

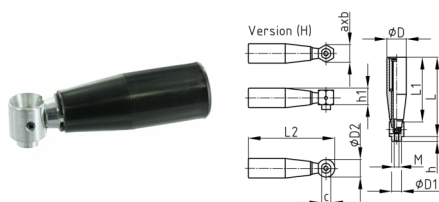


Standard Colours

- black

Material

- Base body: glass fibre reinforced polyamide (PA-GF)
- Bolt and joint: zinc-plated steel



Order Number	a	b	c	D	D1	D2	h	h1	L	L1	L2	M
	mm	mm	mm	mm	mm	mm	mm	mm	mm	mm	mm	mm
UGZ 18 / M3			6,5	18	7,5	12	3	17	60	46	63	M3
UGZ 20 / M5			10	20	11	15	5	17	82	65	87	M5
UGZ 24 / M5			10	24	11	15	5	17	93	77	97	M5
UGZ 28 / M6 H	19	18	10,5	28	11,5		5	21	107	86	109	M6