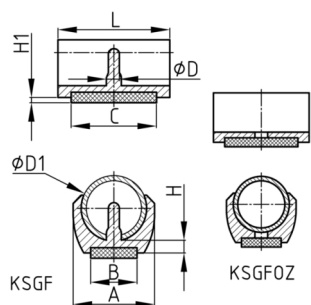


Product Group KSGF

Clamping shell glides made of PA 6 with strongly glued-in and silencing felt slide base

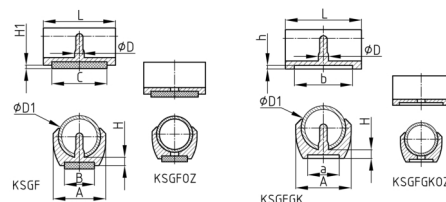


Standard Colours

- black RAL 9005

Material

- Base body: Polyamide (PA 6)
- Slide base: wool felt
- acrylate adhesive



- OZ = without pin
- GK = base body
- Items without spigots or holes may slip after installation due to lack of fixation on the tube.

Order Number	A	B	a	b	C	D	D1	H	H1 ca.	h	L
	mm	mm	mm	mm	mm	mm	mm	mm	mm	mm	mm
KSGF 16 16-17	20	12			25	5	16-17	3,5	2		28
KSGF 16 16-17 GK	20		12	25		5	16-17	3,5		2	28
KSGF 16 16-17 OZ	20	12			25		16-17	3,5	2		28
KSGF 16 16-17 GK OZ	20		12	25			16-17	3,5		2	28
KSGF 20 18-20	23,5	15			25	5,6	18-20	4	2		30
KSGF 20 18-20 GK	23,5		15	25		5,6	18-20	4		2	30
KSGF 20 18-20 OZ	23,5	15			25		18-20	4	2		30
KSGF 20 18-20 GK OZ	23,5		15	25			18-20	4		2	30
KSGF 22 21-22	25,5	15			25	5,6	21-22	4	2		30
KSGF 22 21-22 GK	25,5		15	25		5,6	21-22	4		2	30
KSGF22 21-22 OZ	25,5	15			25		21-22	4	2		30
KSGF 22 21-22 GK OZ	25,5		15	25			21-22	4		2	30
KSGF 25 24-25	28	17			31	5,6	24-25	5	2		42
KSGF 25 24-25 GK	28		17	31		5,6	24-25	5		2	42
KSGF 25 24-25 OZ	28	17			31		24-25	5	2		42
KSGF 25 24-25 GK OZ	28		17	31			24-25	5		2	42