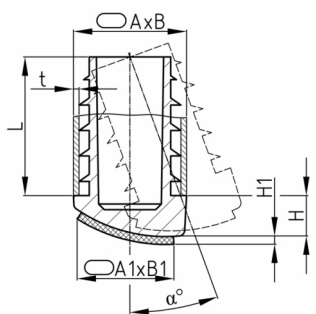


### Product Group OVLSF

Inclined stacking chair glides made of PE with felt sliding surface and variable set-up angle for flat oval tubes

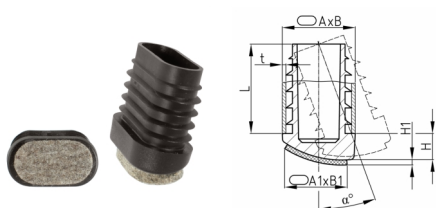


#### Standard Colours

- black

#### Material

- Base body: Polyethylene (PE)
- Slide base: felt



Order Number	$\alpha$ °	A mm	B mm	A1 mm	B1 mm	H mm	H1 mm	L mm	t mm
OVLSF 30x15x1,5-2	0-20	30	15	26	13	6	3	25	1,5-2
OVLSF 38x20x1,5-2	0-20	38	20	33	17	8	3	25	1,5-2
OVLSF 40x20x1,5-2	0-20	40	20	33	17	8	3	25	1,5-2