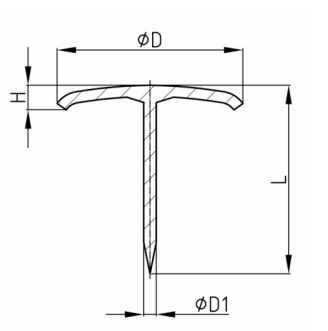


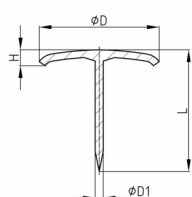
Product Group GMS

Nail glides made of nickel-plated steel



Material

- Nickel-plated steel



Order Number	D	D1	H ca.	L ca.
	mm	mm	mm	mm
GMS 13	13	1,4	3	12
GMS 15	15	1,4	3	14
GMS 16	16	1,75	3,2	14
GMS 18	18	1,75	4	16
GMS 20	20	2	4	18
GMS 23	23	2	4	19
GMS 25	25	2	4	19
GMS 28	28	2	5	20
GMS 30	30	2	5	20
GMS 35	35	2,5	5	27