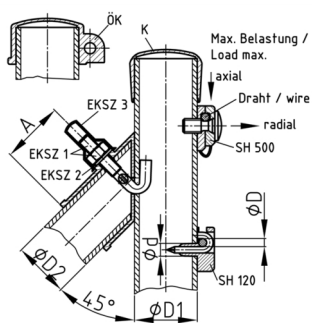


Product Group SH 120

Tension wire holder made of PA-GF with stainless steel hook nail

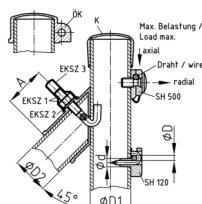


Standard Colours

- black RAL 9005
- traffic grey A RAL 7042
- moss green RAL 6005

Material

- Base body: glass fibre reinforced polyamide (PA-GF)
- Nail: stainless steel



- The advantage of the wire holders is that the parts can be pre-assembled before the fence is erected, and on the construction site the inserted tension wire is fixed non-detachably by a simple hammer blow.
- It is advantageous if the protective coating is pressed against the pipe by a drill sleeve when drilling the locating holes so that no gap can form between the pipe and the coating (risk of rust).
- The specified load values apply to pipe pile bores with $\varnothing 8 - 8.1$ mm with pile wall thicknesses up to approx. 2.5 mm and are to be understood as maximum values without safety margin - the prerequisite is a damage-free installation or pre-assembly above approx. 5° C (risk of frost heave).
- At the specified values, the tension wire holder is only pulled out of the tubular post to such an extent that the function is retained after the load is removed.
- The radial and axial load values are to be understood alternatively. A combined load with maximum individual values is not permitted.
- During installation, the wire holders must not be driven in at an angle or tilted. They must remain in their original welding bag packaging until assembly or pre-assembly, so that the assembly moisture of the wire holders of at least 1.5% is maintained.
- Wire clamps are only suitable for professional assembled fences referring to valid norms or to the state-of-the-art.
- For high loaded wire meshes (snow, brushwood, if so with wind pressure) use type SH 500.

Product options on inquiry

- Special colours (colours, minimum quantities, set-up costs, pricing and surcharges)
- With your engraved company logo (tooling costs, minimum quantities, set-up costs)

Order Number	d mm	D mm	max. axial load kg	max. radial load kg
SH 120-4 (100 Pack)	8	4	130	90
SH 120-5 (100 Pack)	8	5	130	90