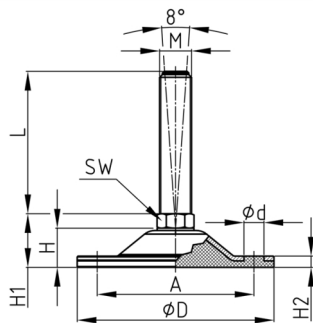


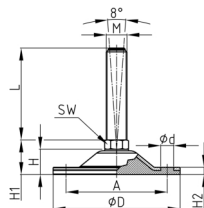
Product Group MFDZ

Form-punched machine feet made of galvanised steel with fixing holes and vulcanised rubber pad



Material

- Thread: zinc-plated steel
- Base: galvanized pressed steel
- Rubber: NBR 80 Shore, vulcanized



Product information

- The machine foot can compensate for uneven floors up to 8°.
- The machine foot offers the possibility to personalize the base with your company logo.
- The vulcanized rubber mounting surface can be drilled through and screwed to the floor.
- The load capacity of the screw (buckling length!) may be less than indicated in the table.
- Palletising machines, woodworking machines, general in production machines

Product options on inquiry

- Delivery with additional steel nut possible.

Order Number	A	D	d	F max.	H	H1	H2	L	M	WAF
	mm	mm	mm	kg	mm	mm	mm	mm		mm
MFDZ 124 / M16x100	98	124	12,5	2000	23,5	32	8	100	M16	16
MFDZ 124 / M16x150	98	124	12,5	2000	23,5	32	8	150	M16	16
MFDZ 124 / M16x176	98	124	12,5	2000	23,5	32	8	175	M16	16
MFDZ 124 / M20x100	98	124	12,5	2000	23,5	32	8	100	M20	20
MFDZ 124 / M20x150	98	124	12,5	2000	23,5	32	8	150	M20	20
MFDZ 124 / M20x175	98	124	12,5	2000	23,5	32	8	175	M20	20
MFDZ 124 / M20x200	98	124	12,5	2000	23,5	32	8	200	M20	20
MFDZ 124 / M24x100	98	124	12,5	2000	23,5	32	8	100	M24	24
MFDZ 124 / M24x150	98	124	12,5	2000	23,5	32	8	150	M24	24
MFDZ 124 / M24x200	98	124	12,5	2000	23,5	32	8	200	M24	24
MFDZ 124 / M30x150	98	124	12,5	2000	23,5	33	8	150	M30	30
MFDZ 124 / M30x200	98	124	12,5	2000	23,5	33	8	200	M30	30
MFDZ 124 / M30x250	98	124	12,5	2000	23,5	33	8	250	M30	30

Ordering example

- Group + D + M + Thread Length ---> MFDZ 124 M16x 100