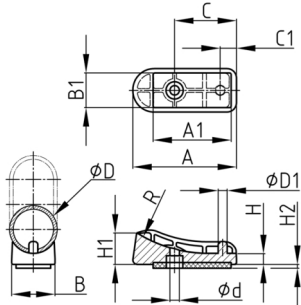


Product Group SGRXF

Shell glides made of polyamide for tube-based cantilever and skid-base chairs with felt-sliding surface for different bending radii

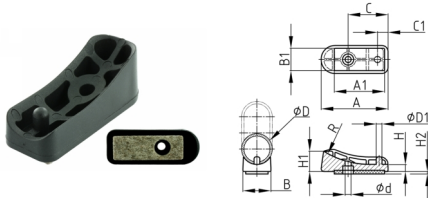


Standard Colours

- black RAL 9005

Material

- Base body: Polyamide (PA 6)
- Slide base: wool felt
- acrylate adhesive



- Safe positioning and fixing via two frame bores - only one connecting element required.

Product options on inquiry

- Special colours and materials (pricing, minimum quantities, set-up costs)

Order Number	A	A1	B	B1	C	C1	d	D	D1	H	H1 ca.	H2	R
	mm	mm	mm	mm	mm	mm	mm	mm	mm	mm	mm	mm	mm
SGRXF 25/60 R63,5	60	44,5	22	15	35	9	5,2	25	5,7	7	21,5	3	63,5
SGRXF 25/60 R75	60	44,5	22	15	35	9	5,2	25	5,7	7	20	3	75
SGRXF 30/64 R80	65	48	27,5	20,5	39	9,5	5,9	30	5,6	7	20	3	80
SGRXF 30/64 R85	65	48	27,5	20,5	39	9,5	5,9	30	5,6	7	19,5	3	85