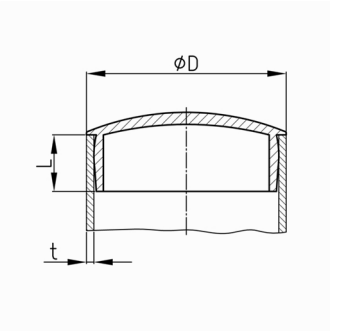
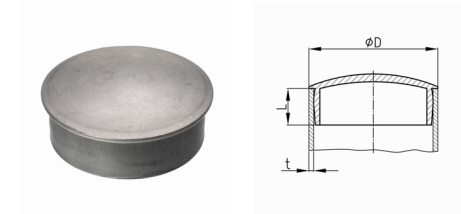


### Product Group CM

Steel inserts for round tubes (uncoated)



**Material**  
• Steel



- As a rule, odd pipe outside diameters rounded to a 1/10 mm (as element of article number or order number) are an indication that these sizes originate from the Imperial System or are common there.
- For British or US pipe thickness systems, use this website to convert "gauge" to millimeter: [www.rapidtables.com/convert/length/inch-to-mm.htm](http://www.rapidtables.com/convert/length/inch-to-mm.htm)

Order Number	D	L	t
	mm	mm	mm
CM 16x1,5	16	7	1,5
CM 18x1	18	7	1
CM 18x1,2	18	7	1,2
CM 18x1,5	18	7	1,5
CM 20x1	20	10	1
CM 20x1,2	20	10	1,2
CM 20x1,5	20	10	1,5
CM 22x1,2	22	9	1,2
CM 22x1,5	22	9	1,5
CM 25x1,2	25	9	1,2
CM 25x1,5	25	9	1,5
CM 28x1,5	28	7	1,5
CM 30x0,85	30	8	0,85
CM 30x1,5	30	8	1,5
CM 30x2	30	8	2
CM 32x1	32	8	1
CM 32x1,2	32	8	1,2
CM 32x1,5	32	8	1,5
CM 32x2	32	8	2
CM 35x1	35	9	1



# Walter Bethke GmbH & Co. KG

Technische Kunststoff - und Hybridprodukte

---

Order Number	D	L	t
	mm	mm	mm
CM 35x1,2	35	9	1,2
CM 35x1,5	35	9	1,5
CM 40x1	40	9	1
CM 40x1,5	40	9	1,5