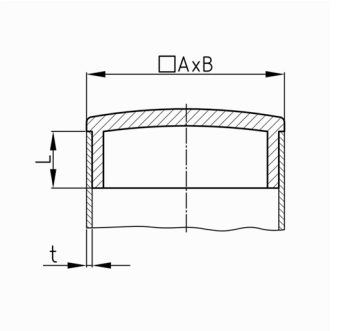


Product Group CRGM

Matt-chromium-plated decorative inserts for rectangular tubes

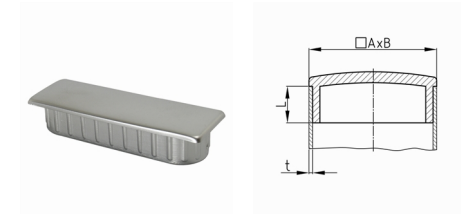


Standard Colours

- matt chrome coloured

Material

- ABS



Product information

- The chrome coating is conditionally scratch-resistant.
- The chrome coating is conditionally corrosion resistant (outdoor use + humidity).
- The plugs are designed for tolerances of +/- 0.1 mm (tube seat) in relation to the nominal internal dimension of the tube.
- For British or US pipe thickness systems, use this website to convert "gauge" to millimeter:
www.rapidtables.com/convert/length/inch-to-mm.htm

Order Number	A	B	L	t
	mm	mm	mm	mm
CGRM 15x 8x1	15	8	8	1
CGRM 15x10x1	15	10	9	1
CGRM 15x10x1,2	15	10	9	1,2
CRGM 20x10x1	20	10	9	1
CRGM 20x10x1,2	20	10	9	1,2
CRGM 20x15x1,2	20	15	8	1,2
CRGM 20x15x1,5	20	15	8	1,5
CRGM 25x10x1,5	25	10	9	1,5
CRGM 25x15x1,5	25	15	9	1,5
CRGM 30x10x1,5	30	10	9	1,5
CRGM 30x15x1,2	30	15	9	1,2
CRGM 30x15x1,5	30	15	9	1,5
CRGM 30x20x1,2	30	20	9	1,2
CRGM 30x20x1,5	30	20	9	1,5
CRGM 35x15x1,5	35	15	9	1,5
CRGM 35x20x1,5	35	20	9	1,5
CRGM 40x10x1,2	40	10	8	1,2
CRGM 40x10x1,5	40	10	8	1,5
CRGM 40x15x1	40	15	9	1



Order Number	A	B	L	t
	mm	mm	mm	mm
CRGM 40x15x1,2	40	15	9	1,2
CRGM 40x15x1,5	40	15	9	1,5
CRGM 40x20x1,2	40	20	9	1,2
CRGM 40x20x1,5	40	20	9	1,5
CRGM 40x20x2	40	20	9	2
CRGM 50x20x1,2	50	20	10	1,2
CRGM 50x20x1,5	50	20	10	1,5
CRGM 60x20x1,5	60	20	10	1,5