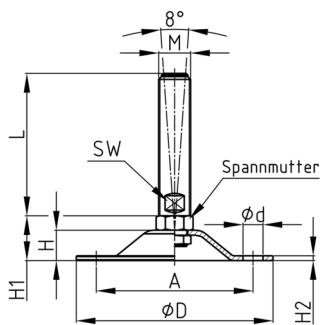


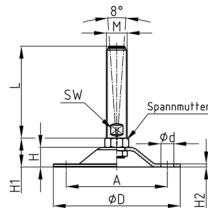
### Product Group MFDA

Form- punched machine feet made of galvanized steel with 4 fixing holes and check nut



#### Material

- Thread: zinc-plated steel
- Base: galvanized pressed steel



#### Product information

- The clamping nut locks the screw firmly with the foot.
- The machine foot can cope with up to 8° slopes on floors and equipment.
- The machine foot offers the possibility to personalize the base with your company logo.
- The load capacity of the screw can be lower than indicated in the table overview (buckling length!)
- Palletizing machines, woodworking machines, generally in production machines

#### Product options on inquiry

- Delivery with additional steel nut possible.

Order Number	A	D	d	F max.	H	H1	H2	L	M	WAF
	mm	mm	mm	kg	mm	mm	mm	mm	mm	mm
MFDA 124 / M16x150	98	124	12,5	2000	20,5	34	4	150	M16	17
MFDA 124 / M20X150	98	124	12,5	2500	20,5	34	4	150	M20	17
MFDA 124 / M20X200	98	124	12,5	2500	20,5	34	4	200	M20	17
MFDA 124 / M24X150	98	124	12,5	3000	20,5	34	4	150	M24	20
MFDA 124 / M24X200	98	124	12,5	3000	20,5	34	4	200	M24	20

#### Ordering example

- Group + D + M + Thread Length ---> MFDA 124 M16x 100