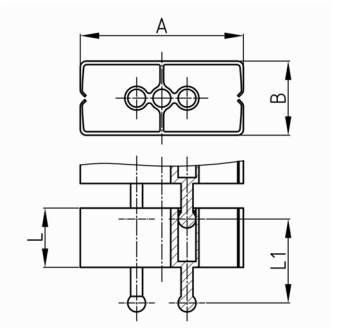


Product Group KBKCUBSA

Rectangular cable chain set for cable feed to writing and working tables, including floor-outlet-adapter and table mounting



Standard Colours

- black
- white
- silver
- uncoloured-translucent

Material

- Polypropylene



Product information

- Flexible cable ducting system for horizontal and vertical cable ducting.
- Any assembly possibilities with fixing elements "KBKCUBZ1" or "KBKZ8S".
- Together movable positioned chain elements
- 2 connectors for optimal force transmission, especially torque, pressure- and transverse forces
- Two-chamber-system for separating data and power cables
- Laying as a closed cable chain channel via blocking the chain.
- Closed middle channel for containing assembly pole "KBKZ2A" or hauling rope "KBKZ2B".
- Asunder pulled or together moved, rigid layer cable chain, specially suited for wall-, furniture-, sub table- and ceiling assembly.
- The together moved, rigid laying of the cable chain is suitable for low passage areas.
- Tool-free connection to all traded floor outlets by using "KBKZ10L / Clip-L Floor (PRO+CUB+CMX)".
- Tool-free and time saving installation of cables by zipper principle.
- Optimized possibility to pull out cables sideways without squeezing them.
- 3-D-movable and appr. 35 % flexible in length
- Tool-free forking by manifold
- Compatible with cable chain "KBKPRO", "KBKCL", "KBKFLII" and "KBKCMX" (intermateable).
- Extensive range of adapters
- Short time load up to 80 kg for 5 chain elements at 20 °C room temperature
- Complete packing in one box (assembled cable elements with desk fixing, floor outlet adapter and screw set)

| Order Number | A | B | L | L1 | Element(s) | For up to x cable |
|---------------------|----|----|----|----|------------|-------------------|
| | mm | mm | mm | mm | piece(s) | piece(s) |
| KBKCUB SET-A 75 cm | 55 | 25 | 20 | 35 | 25 | 25 |
| KBKCUB SET-A 125 cm | 55 | 25 | 20 | 35 | 42 | 25 |